

## ELS-950 Series Built for OHV Applications

The ELS-950 Series represents Gems' first electro-optic level sensor developed specifically for OHV application in monitoring OHV fluids.

Their design features a TPE over-molded electronics insert, TPE insulated wires, and fluorosilicone o-ring seals that create a watertight, environmentally resistant assembly, ideally suited for use in harsh OHV environments.

The ELS-950 is excellent for industrial OEMs requiring a solid-state sensors for small space and high temperature environments.

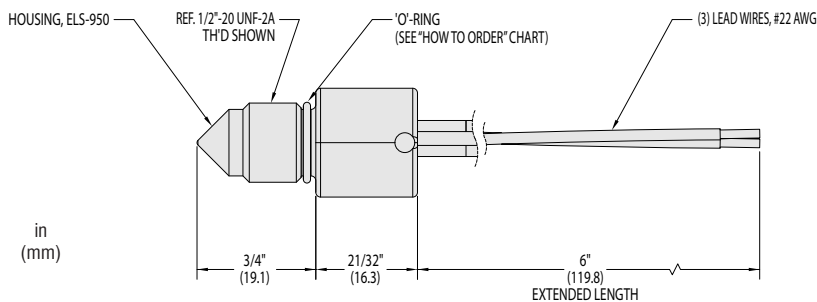
### Typical Applications

- Coolant reservoir monitoring and warning
- Medical diagnostic, sterilizer, washers and dialysis equipment
- Low lubricant warning on machine tools, generator sets, on- or off-highway vehicles
- Low level warning in hydraulic reservoirs
- Plastic over flow bottles, plastic radiators

### Specifications

<b>Materials</b>	
<b>Housing</b>	Polysulfone (Contact Gems for alternative material types)
<b>O-Ring</b>	
1/2"- 20UNF Mounting	Fluorocarbon
M12x1-8 Mounting	Viton®
<b>Electronics</b>	Over-molded TPE
<b>Operating Pressure</b>	0 to 250 PSI (0 to 17 bar) maximum
<b>Operating Temperature</b>	-40°F to +230°F (-40°C to 110°C)
<b>Current Consumptions (No Load)</b>	
5 VDC	4 mA
12 VDC	10mA
<b>Output</b>	Sink 40 mA max., up to 30 VDC
<b>Repeatability</b>	±1 mm
<b>EMI</b>	CE Approved per EN 6100

### Dimensions



### How To Order

Specify Part Number based on Input and Output Condition required.

Input Power	Actuation Condition	Mounting Type		
		1/2"- 20UNF-2B	1/4" MNPT	M12x1-8
5 VDC ±10%	Wet	224501	224504	224508 ⚡
	Dry	224502 ⚡	224505	224509 ⚡
12 VDC ±10%	Wet	224503	224506 ⚡	224510 ⚡
	Dry	223625 ⚡	224507	224511

⚡ – Stock Items.



### Wiring Diagrams

