





MA: .5 Watt • MB: 1 Watt • MC: 2 Watts

## Valve Options

### Power Rating

|   |         |
|---|---------|
| A | .5 watt |
| B | 1 watt  |
| C | 2 watts |

### Valve Type

|    |                           |
|----|---------------------------|
| 20 | 2-Way normally closed     |
| 22 | 2-Way normally open       |
| 31 | 3-Way normally closed     |
| 32 | 3-Way normally open       |
| 33 | 3-Way multi-purpose       |
| 34 | 3-Way directional control |

### Orifice Size

|   |       |
|---|-------|
| 2 | .031" |
| 5 | .052" |

### Plunger Seal / O-Ring Material

|   |         |
|---|---------|
| V | Viton   |
| N | Nitrile |
| E | EPDM    |

### Body Material

|   |          |
|---|----------|
| B | Brass    |
| A | Aluminum |

### Body Port Configuration

|   |   |
|---|---|
| 0 | Face mount                                    |
| 1 | 1/16" barb                                    |
| 2 | 5/64" or 3/32" barb                           |
| 3 | 1/8" barb                                     |
| 4 | Manifold mount, #10-32 UNF-2A stud            |
| 5 | #10-32 UNF-2B female thread (180° apart only) |
| 6 | 1/8"-27 NPT ports (180° apart only)           |

### Stop Port Configuration

|   |   |
|---|---|
| 0 | No barb (Standard for 2-way NC & 3-way free vent) |
| 1 | 1/16" barb (.031" orifice only)                   |
| 2 | 5/64" or 3/32" barb                               |
| 3 | 1/8" barb   |

### Coil Construction

|     |                                       |
|-----|---------------------------------------|
| U   | P.C. board solderable (2-pin)         |
| P   | P.C. board mount (4-pin)              |
| Q   | Quick connect .110 spade              |
| L   | Lead-wires, #26 AWG, 18" long         |
| W__ | Lead-wires (Specify length in inches) |

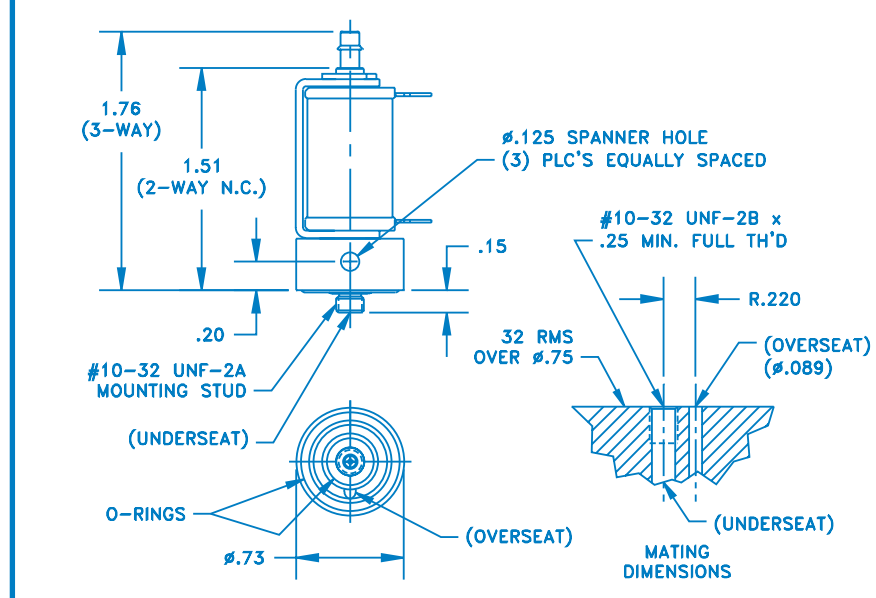
### Voltage

|         |  |
|---------|--|
| 200     | 3 VDC  |
| 201     | 5 VDC  |
| 203     | 12 VDC   |
| 204     | 24 VDC   |
| ___ VDC | DC (specify voltage)   |
| ___ VAC | AC Rectified 2-watt coil only (specify voltage, lead-wires only) |

### Additional Options

|     |                                  |
|-----|----------------------------------|
| OC  | Cleaned for oxygen use           |
| VAC | Vacuum application (0 to 27" Hg) |

## Dimensions



## Performance Specifications

| Part #<br>Prefix | ORIFICE | MOPD<br>(psig) | C <sub>v</sub> |
|------------------|---------|----------------|----------------|
|                  |         |                | BODY           |
| MA               | .031    | 25             | 0.020          |
| MA               | .052    | 10             | 0.038          |
| MB               | .031    | 50             | 0.020          |
| MB               | .052    | 25             | 0.038          |
| MC               | .031    | 100            | 0.020          |
| MC               | .052    | 50             | 0.038          |