

# Chem-S™ Series

## Sub-Miniature Inert Diaphragm Valve

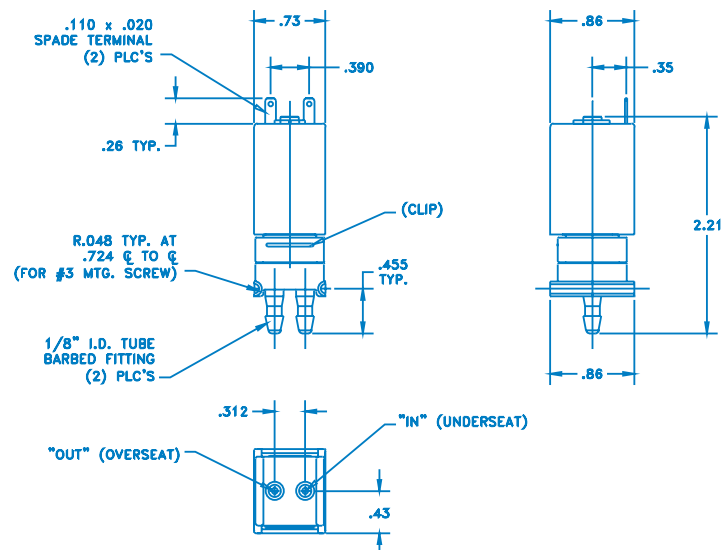
The Chem-S™ utilizes revolutionary diaphragm technology in a liquid compatible, sub-miniature inert isolation valve. With a compact size, flexible diaphragm design, low power consumption, and low cost the Chem-S provides a unique and valuable option for the medical and scientific instrumentation industries. The Chem-S specifically targets the performance and price void between the limited pinch valve and the very expensive rocker style solenoid.

### An excellent choice for:

- Analytical Instrumentation
- Clinical Chemistry Equipment
- Medical Diagnostic and Testing Machinery



### Dimensions



Configure Your Chem-S Series Part Number: Example Below

CHEM202-V2-C203

Prefix From Spec. Chart

Manifold Mount  
Viton Diaphragm

12 Volt DC



## Chem-S™: 2 Watts

### Valve Options

#### Coil Construction

\*Quick connect .110 spade

#### Body Material

\*Polyurethane (Isoplast™)

#### Diaphragm Seal Material

V Viton  
E EPDM

#### Body Port Configuration

- 1 1/8" barb
- 2 Manifold mount
- 3 #10-32 flat bottom straight thread ports

#### Voltage

C201 5 VDC  
C203 12 VDC  
C204 24 VDC

\_\_\_ VDC DC (specify voltage)

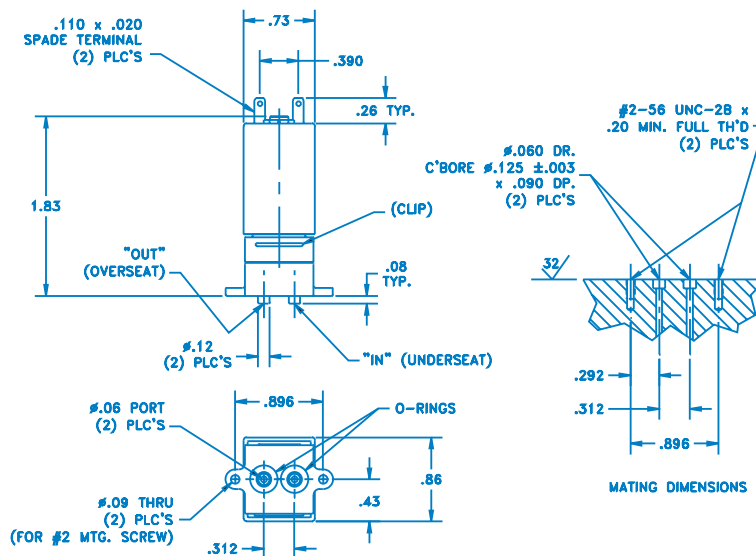
\_\_\_ VAC AC Rectified 2-watt coil only (specify voltage)

#### Additional Options

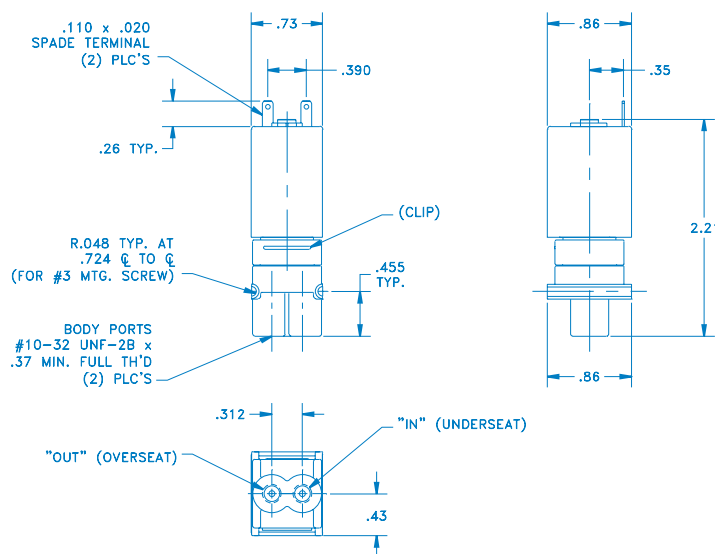
VAC Vacuum application (0 to 27" Hg)

\* Chem-S Series valves will be built with these options unless otherwise indicated. The option number is dropped in the final part number when using these materials.

### Dimensions



### Dimensions



### Performance Specifications

Part # Prefix	ORIFICE	MOPD (psig)	C <sub>v</sub> BODY
	2-WAY Normally Closed		
Chem202	.031	70	0.016
Chem205	.052	25	0.040